

AVM420S



Full HD
1080P



PoE



External I/O



Audio



Mobile
Surveillance

2MP IR Dome IP Camera

FEATURES

- **POE (Power-over-Ethernet)** support to eliminate the use of power cables and reduce installation costs
- **External alarm I/O device** connection



- **ONVIF (ONVIFS)** standard supported to simplify system integration
- **IR LED built-in** for night surveillance up to 20 meters
- **Line in / out** jacks available for audio transmission
- **IP66** weather-proof case for protection against dust and water, suitable for both indoor & outdoor use

- **Solid Light** series featuring better overexposure prevention (Advanced Smart Light Control), automatic adjustment of image brightness, and longer lifetime of LED

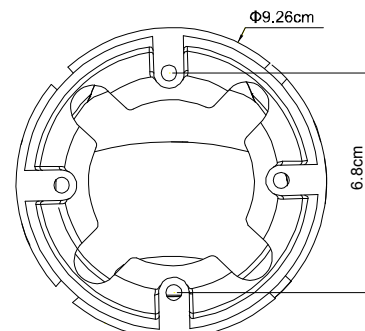
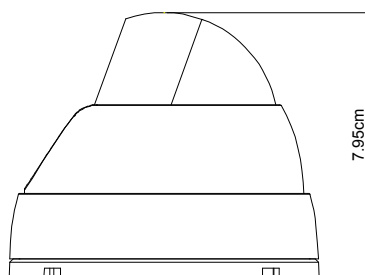
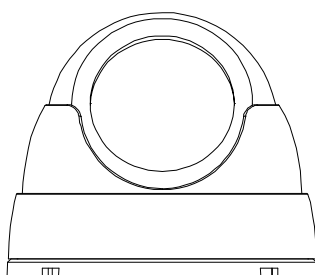
SOLID LIGHT

Smart & Efficient Lighting Solution

- Longer IR Effective Distance
- Longer LED Lifetime
- Advanced Smart Light Control

- **Remote Surveillance**
 - **Fully compatible** with **iOS** and **Android** devices, and **Internet Explorer** on Windows operating system
 - **Push Video** available on your iOS and Android devices when used with Push Video NVR series.

DIMENSIONS





○ SPECIFICATIONS

■ Network	
LAN Port	YES
LAN Speed	10/100 Based-T Ethernet
Supported Protocols	DDNS, PPPoE, DHCP, NTP, SNTP, TCP/IP, ICMP, SMTP, FTP, HTTP, RTP, RTSP, RTCP, IPv4, Bonjour, UPnP, DNS, UDP, IGMP, QoS
ONVIF Compatible	YES (Profile S)
Number of Online Users	10
Security	(1) Multiple user access levels with password (2) IP address filtering (3) Digest authentication
Remote Access	(1) Internet Explorer on Windows operating system (2) 16CH Video Viewer on Windows & MAC operating system (3) EagleEyes on iPhone, iPad & Android mobile devices
■ Video	
Network Compression	H.264 / MPEG4 / MJPEG
Video Resolution	1920 x 1080 / 1280 x 720 / 640 x 480 / 320 x 240
Frame Rate	30fps
Multiple Video Streaming	4 (H.264, MJPEG, MPEG4)
■ General	
Image Sensor	1/2.9" SONY CMOS image sensor
Min Illumination	1 Lux / F1.5, 0 Lux (LED ON)
Shutter Speed	1/2 to 1/10,000 sec
S/N Ratio	More than 48dB (AGC off)
Lens	f3.8mm / F1.5 f2.8mm / F2.0
Viewing Angle	f3.8mm: 73.2° (Horizontal) / 47.4° (Vertical) / 85.4° (Diagonal) f2.8mm: 110° (Horizontal) / 62° (Vertical) / 128° (Diagonal)
IR LED	14 units
IR Effective Distance	Up to 20 meters
IR Shift	YES
Smart Light Control	YES
White Balance	ATW
AGC	Auto
IRIS Mode	AES
POE	YES (IEEE 802.3af)
External Alarm I/O	YES (1 input / 1 output)
IP Rating	IP66
Operating Temperature	-20°C ~ 40°C
Power Source (±10%)	12V / 1A
Current Consumption (±10%)	250mA (IR OFF); 365mA (IR ON)
Power Consumption (±10%)	6W (PoE) ; 6W (PoN) ; 5W (DC Adapter)



● SPECIFICATIONS (CONTINUED)

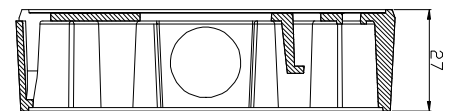
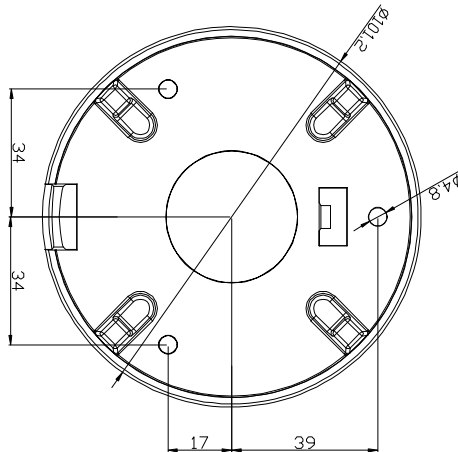
■ Audio	
Line in	YES
Line out	YES
■ Others	
Mobile Surveillance	iOS & Android mobile devices
Event Notification	FTP / Email / SMS
3-Axis	YES
Digital Pan / Tilt / Zoom	YES
Motion Detection	YES
RTC (real-time clock)	YES
Minimum Web Browsing Requirements	<ul style="list-style-type: none"> • Intel core i3 or higher, or equivalent AMD • 2GB RAM • AGP graphics card, Direct Draw, 32MB RAM • Windows 7, Vista & XP, DirectX 9.0 or later • Internet Explorer 7.x or later

*The specifications are subject to change without notice.

● OPTIONAL BRACKET

■ AVN320-BKT

Used as a bracket to mount the camera on the ceiling and collect the cables.



Dimensional tolerance: $\pm 5\text{mm}$