

VD102SM2Ti-VIR

2 Megapixel IR Night Vision Indoor Dome Camera



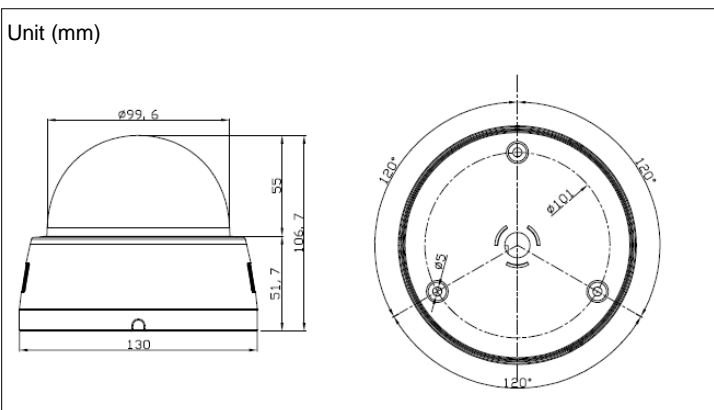
Key Features

- * 2 Mega pixel 1/2.8" SONY progressive scan CMOS image sensor for excellent image quality (Exmor)
- * 2.8~11mm Megapixel Lens
- * 20M IR Beam Distance
- * Multi Streaming of H.264 and MJPEG
- * Supports image resolution up to 1920x1080 (FHD)
- * Full HD (1920x1080:1080p) 30fps
- * Supports CBR and CVBR modes
- * Controllable frame rate
- * Privacy Masking up to 8 areas
- * **Supports WDR, Defog, 2D+3DNR, Sense-Up, Intelligent IR**
- * Digital PTZ
- * Tool-free 3-Axis
- * 12VDC/ IEEE802.3af POE
- * Conformant with ONVIF
- * Includes Windows based IP Installer and license-free 16 channel NVR(Network Video Recorder) software

Ordering information

- * Non-IR Version
Model No. VD102M2Ti-V (2.8~11mm DC Iris, Megapixel Lens)

Dimensions



IP Night Vision Indoor Dome Camera

Specifications

Model	VD102SM2Ti-VIR		
General	CPU	32-bit ARM9 RISC CPU up to 432MHz	
	Flash	128 Mbyte	
	SDRAM	128 Mbyte	
Camera	Image sensor	2.0 Megapixel 1/2.8" SONY progressive scan CMOS (Exmor)	
	Total Pixels	1952(H) x 1116(V) 2.18 Megapixel	
	Effective Pixels	1944(H) x 1104(V) 2.15 Megapixel	
	S/N Ratio	More than 50dB	
	Min. Illumination	0Lux (IR ON)	
	IR Distance	20M	
	Day & Night	ICR	
	Lens	2.8~11mm Megapixel Board Lens	
Video	Video compression	H.264 High Profile@4.0, MJPEG -Image quality: 3 Steps	
	Resolution	Up to 1920 x 1080 (FHD)	
	Frame rate	H.264 Up to 30fps with 1920x1080 MJPEG Up to 30fps with VGA resolution	
	Video streaming	Support multi stream with H.264, MJPEG Adjustable frame rate CVBR/CBR in H.264	
	Pan/Tilt/Zoom	Digital PTZ	
	Image setting	Day & Night	
		Auto White Balance	
		Auto Exposure	
		Privacy Mask	
		WDR (Low/Middle/High)	
Defog(On/Off), Smart IR(Off/0~15)			
Output (optional)	3DNR(On/Off)		
	Effect - Color, Sharpness, Mirror/V-Flip, etc.		
	Output (optional)	BNC x1	
Audio (Option)	Alarm I/O (optional)	In:1, Out: 1	
	Audio streaming	Two-way, full duplex	
	Audio compression	G.711	
Network	Sample Rate	8 KHz	
	Security	Password protection User access log HTTPS encryption	
	Supported protocol	HTTP, HTTPS, FTP, SMTP, UPnP, DNS, DDNS, NTP, RTSP, RTP, TCP, UDP, ICMP, DHCP	
System integration	Intelligent video	Motion detection up to 1920x1080 with 4x3 blocks	
	Alarm events	File upload via ftp, E-mail, Notification via email, FTP and TCP	
	Video buffer	5MB pre-alarm and 180 sec (max) post-alarm	
	Recording	Save to Micro SD/SDHC card with event mode and continuous mode	
	Firmware upgrade	Remote upgrade via network	
Physical	API	CGI Interface document, ActiveX Interface(ocx/dll) + document)	
	Power Source	DC12V/1.5A, PoE(Power over Ethernet): 802.3af -optional	
	Storage	Micro SD Slot - optional	
	Power Consumption	Max. 3.9W, Max. 5.5W with IR	
	Net Weight	520g	
Environment	LED's	Power, Network Connection	
	Dimension	130(Ø)X106.7(H)	
	Operating Temperature	0 degree~40 degree Celsius(32F~104F)	
Software	Storage Temperature	-10 degree~50 degree Celsius(14F~122F)	
	Included Software	NVR Lite (16 Channel), IP Installer (Windows only)	
Package	Package Contents	Network Camera, Use Manual, Software CD External Power Adaptor (optional)	

* Specifications are subject to change without prior notice.