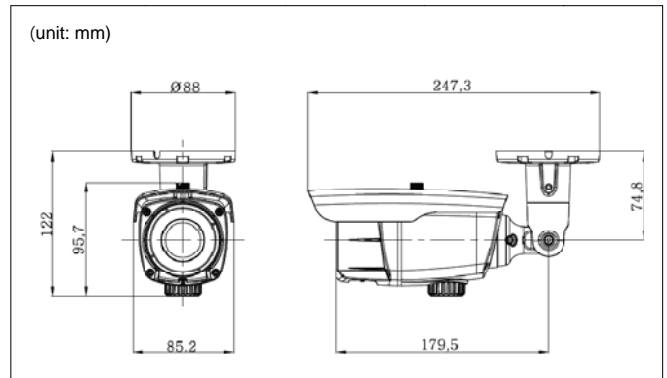


## VN6XSM2Ti

2 Megapixel IR Bullet Outdoor Camera  
**Smart Focus Lens Inside**  
**X3.3 Zoom**



### IR Bullet Outdoor Camera

**Smart Focus**



#### Key Features

- \* 2 Mega pixel 1/2.8" SONY progressive scan CMOS image sensor for excellent image quality (Exmor)
- \* 3~10mm Smart Focus Lens
- \* 30M IR Beam Distance
- \* Multi Streaming of H.264 and MJPEG
- \* Supports image resolution up to 1920x1080 (FHD)
- \* Full HD (1920x1080:1080p) 30fps
- \* Supports CBR and CVBR modes
- \* Controllable frame rate
- \* Privacy Masking up to 8 areas
- \* **Supports WDR, Defog, 2D+3DNR, Smart IR**
- \* Digital PTZ
- \* 12VDC (Option : IEEE802.3af POE)
- \* Conformant with ONVIF
- \* Includes Windows based IP Installer and license-free 16 channel NVR(Network Video Recorder) software

#### Dimensions

#### Specifications

Model	VN6XSM2Ti		
General	CPU	32-bit ARM9 RISC CPU up to 432MHz	
	Flash	128 Mbyte	
Camera	SDRAM	128 Mbyte	
	Image sensor	2.0 Megapixel 1/2.8" SONY progressive scan CMOS(Exmor)	
	Total Pixels	1952(H) x 1116(V) 2.18 Megapixel	
	Effective Pixels	1944(H) x 1104(V) 2.15 Megapixel	
	S/N Ratio	More than 50dB	
	Min. Illumination	0Lux (IR On)	
	IR Distance	30M	
	Day & Night	ICR	
	Lens	3~10mm Smart Focus	
	Video	Video compression	H.264 High Profile@4.0, MJPEG -Image quality: 3 Steps
Resolutions		Up to 1920 x 1080 (FHD)	
Frame rate		H.264 Up to 30fps with 1920x1080 MJPEG Up to 30fps with VGA resolution	
Video streaming		Support multi stream with H.264, MJPEG, Adjustable frame rate CVBR/CBR in H.264	
Pan/Tilt/Zoom		Digital PTZ	
Image setting		Day & Night	
		Auto White Balance	
		Auto Exposure	
		Privacy Mask	
		WDR(Low/Middle/High)	
		Defog(On/Off), Smart IR (Off / 0~15)	
		3DNR(On/Off)	
Output		BNC x1	
Alarm In/Out (Optional)	In: 1, Out: 1		
Audio (Option)	Audio streaming	Two-way, full duplex	
	Audio compression	G.711	
	Sample Rate	8 KHz	
Network	Security	Password protection User access log HTTPS encryption	
	Supported protocol	HTTP, HTTPS, FTP, SMTP, UPnP, DNS, DynDNS, NTP, RTSP, RTP, TCP, UDP, ICMP, DHCP	
System integration	Intelligent video	Motion detection up to 1920x1080 with 4x3 blocks	
	Alarm events	File upload via ftp, E-mail, Notification via email, FTP and TCP	
	Video buffer	5MB pre-alarm and 180 sec (max) post-alarm	
	Firmware upgrade	Remote upgrade via network	
Physical	API	CGI Interface document, ActiveX Interface(ocx(dll) + document)	
	Power Source	DC12V/1.5A, PoE(Power over Ethernet): 802.3af-Optional	
	Storage	Micro SD Slot - Optional	
	Power Consumption	Max. 10W with IR	
	Net Weight	1300g	
	LED's	Power, Network Connection	
	Dimension	87.7W) x 96mm(H) x 278.1mm(D) including Bracket	
Environment	Operating Temperature	-10 degree-50 degree Celsius(14F-122F)	

# Network Products

One place has them all **VISION**

	Storage Temperature	-20 degree-60 degree Celsius(-4F~140F)
Software	Included Software	NVR C/S (16 Channel), IP Installer (Windows only)
Package	Package Contents	Network Camera, User Manual, External Power Adaptor (optional), Software CD

*\*Specifications are subject to change without prior notice.*